



atmmini

NFC Lock with One Time Code



**The World's First
OTC & NFC Lock for
ATM Top Box
Access Control**



**Invaluable card & transaction data,
Thousands of dollars of cash,
ATM PCs are subject to many malware attacks!**

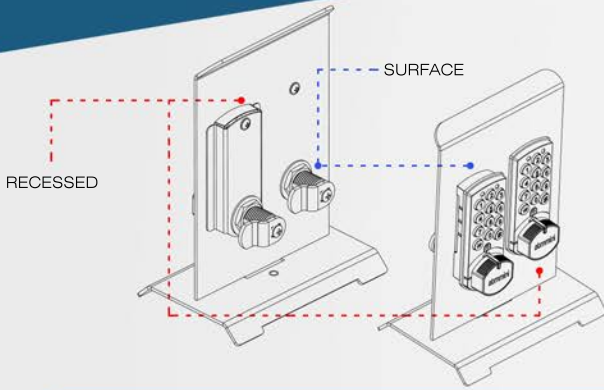
**Would you still leave the ATM top box
depending on a master key?**

by **bvk**

The World's First OTC & NFC Lock for ATM Top Box Access Control

MULTI-VENDOR

- APPLICABLE TO ALL ATM BRANDS & MODELS
- FRONT LOAD, REAR LOAD, LOBBY OR TTV
- USE AT ANY SELF SERVICE TERMINAL



EASY & FLEXIBLE INSTALLATION

- SURFACE OR RECESSED MOUNTING
- UTILIZING EXISTING LOCK HOLES
- OPTIONAL 4-DIRECTIONS

- › The best physical solution to ATM PC software security
- › High security with one time codes
- › Higher operational efficiency, shorter service time
- › Convenient & secure use with mobile NFC application
- › Detailed access logs for audit and forensic analysis

Communication	NFC
Working Temperature	0-50 C
IP Code	IP65
Knob Durability	>45Kgf
UV Durability	>10,000h
Vibration Durability	10-200Hz, 2g
Electrostatic Durability	8KV
Battery Type *	CR2450
Battery Life	40,000 cycles
Dimensions (WxHxD)	(34x85x27)mm

* Battery life may vary depending on temperature, environmental conditions and battery performance.



CONTACT INFORMATION



www.atmminilock.com
www.bvk.com.tr
Please Contact Us: +90 212 322 6508
sales@bvk.com.tr